

# BE SNK C

## BEELINE Tap Range Beeline Pullout Monobloc Sink Mixer Chrome



### Specification

|                                          |                                    |
|------------------------------------------|------------------------------------|
| <b>Product Type:</b>                     | Kitchen Taps                       |
| <b>Main Construction Material:</b>       | Brass                              |
| <b>Mount Type:</b>                       | Deck                               |
| <b>Handle Type:</b>                      | Lever                              |
| <b>Connection Inlet:</b>                 | M10 Flexible Connecting Tails      |
| <b>Connection Outlet:</b>                | Pull-Out Nozzle                    |
| <b>Number of Tap Holes:</b>              | 1                                  |
| <b>Valve/Cartridge Type:</b>             | 1/2" Ceramic Disc Valves           |
| <b>Plumbing System Requirements:</b>     | Suitable for high pressure systems |
| <b>Working Pressure Range:</b>           | Min 1.0 bar, Max 8.0 bar           |
| <b>Maximum Hot Water Temperature: °C</b> | 65                                 |
| <b>Maximum Static Pressure: (bar)</b>    | 10                                 |
| <b>Flow Type:</b>                        | Single                             |
| <b>Isolation Included:</b>               | No                                 |

### Features:

- Long life and easy to use 1/4 turn ceramic disc valves
- Metal fixing nut for added durability
- Minimum working pressure of 1.0 bar
- Pull-out nozzle with 600mm flexible hose
- Supplied with two check valves in the tails and one in the spout

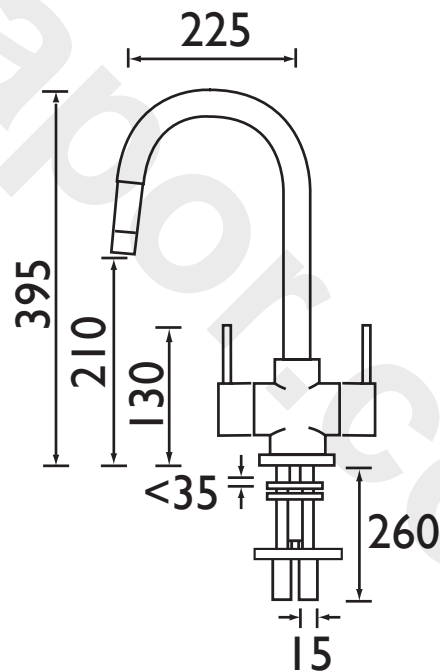
### Product Certifications:



For more products, visit our website:  
<http://www.bristan.com>



### Dimensions (measurements in mm)



### Flow Rates (l/min)

| System Pressure (bar) | 1   | 2    | 3  | 5    |
|-----------------------|-----|------|----|------|
| BE SNK C              | 9.6 | 13.9 | 17 | 21.9 |

## TECHNICAL DATA SHEET



# BRISTAN

TAPS & SHOWERS

D7